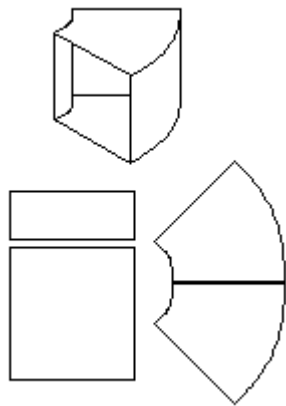


DUCTING MANUFACTURING DRAWINGS

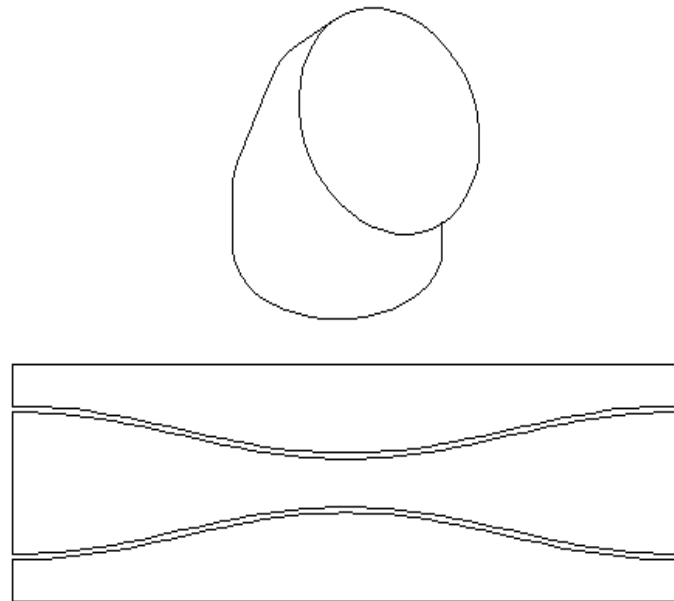
This are all the ducting components which can be drawn for your business in a DXF format all for manufacturing purposes.

45 DEG BENDS

45 Deg Bend Rectangular

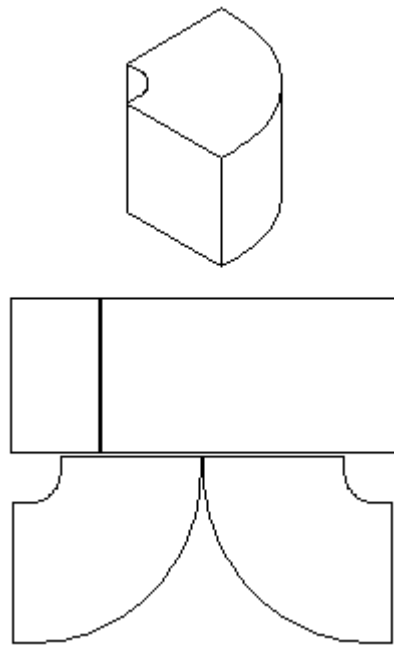


45 Deg Bend Round

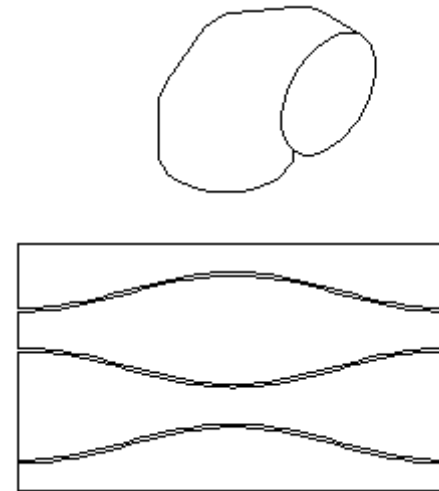


90 DEG BENDS

90 Deg Bend Rectangular

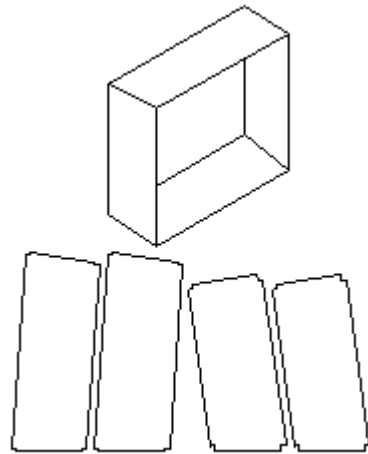


90 Deg Bend Round

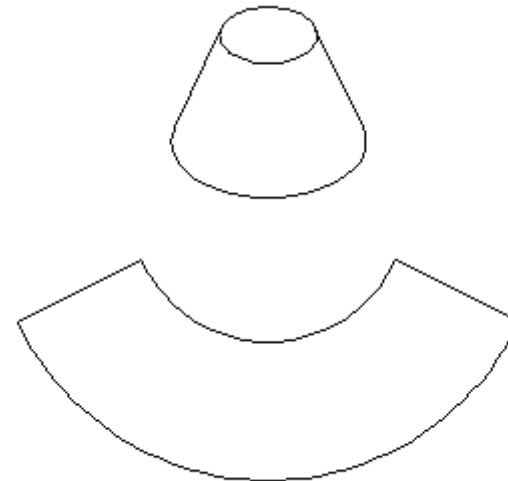


REDUCER

Reducer Rectangular

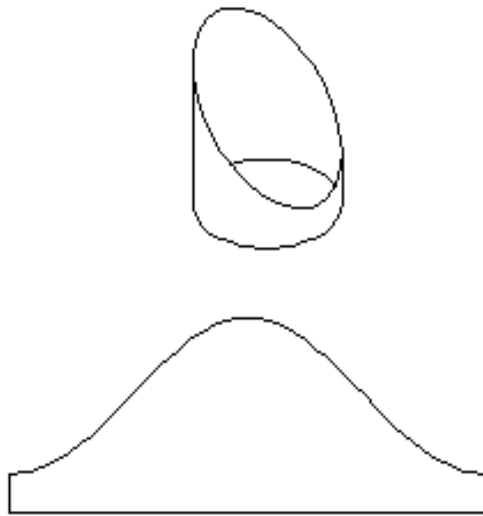


Reducer Round

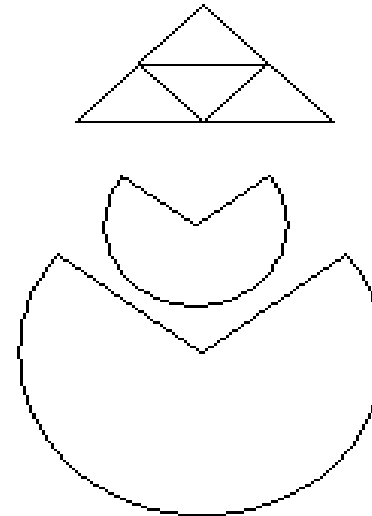


COWL & CHINESE HEAD

Cowl Round

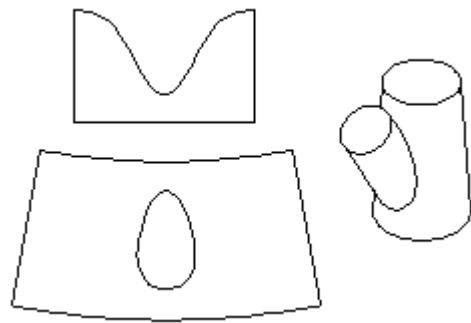


Chinese Head

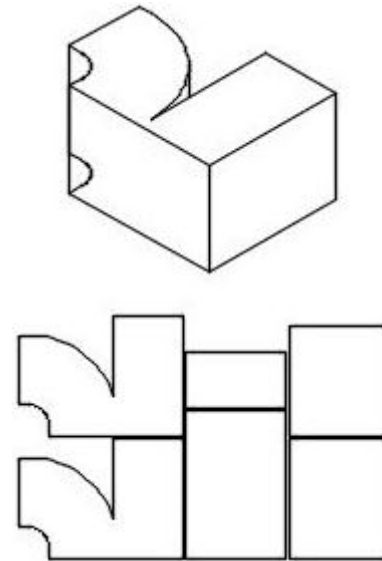


BRANCH

Branch Round

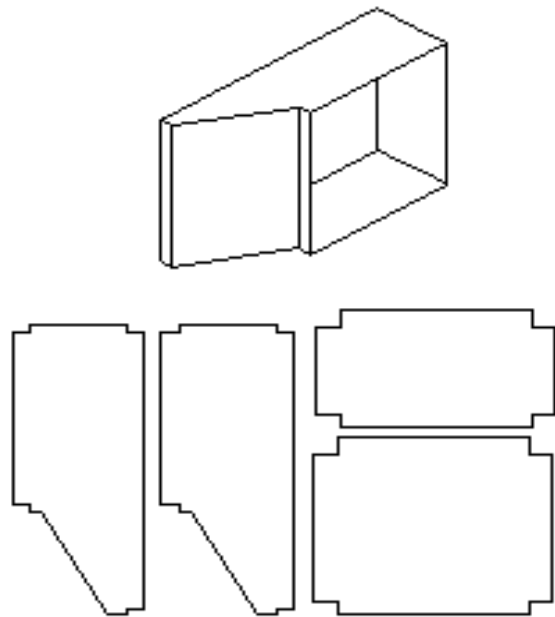


Branch Rectangular

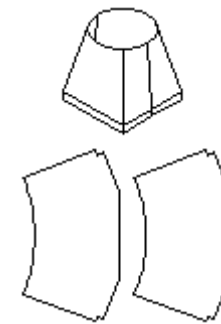


SHOE & SQUARE TO ROUND

Shoe

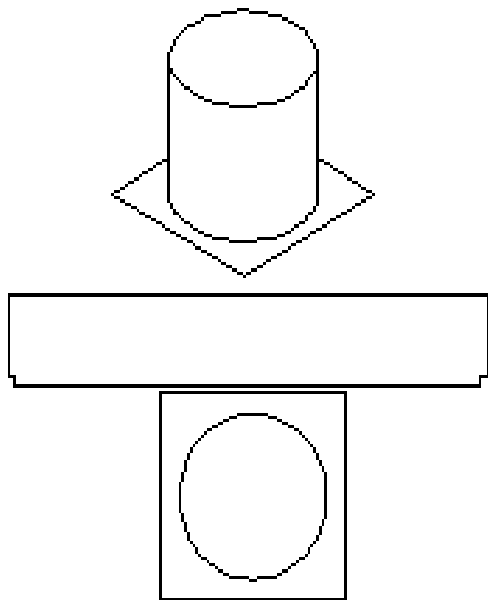


Square To Round

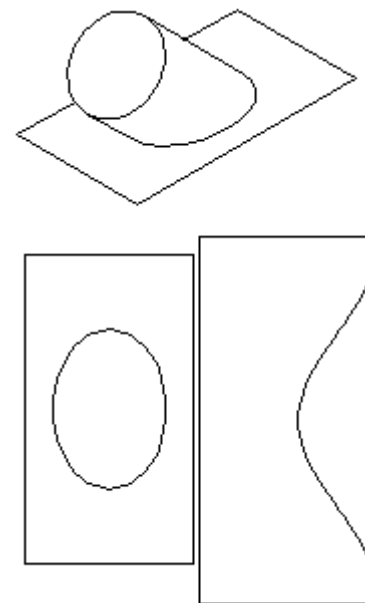


SPIGOT ON PLATE

Spigot On Plate

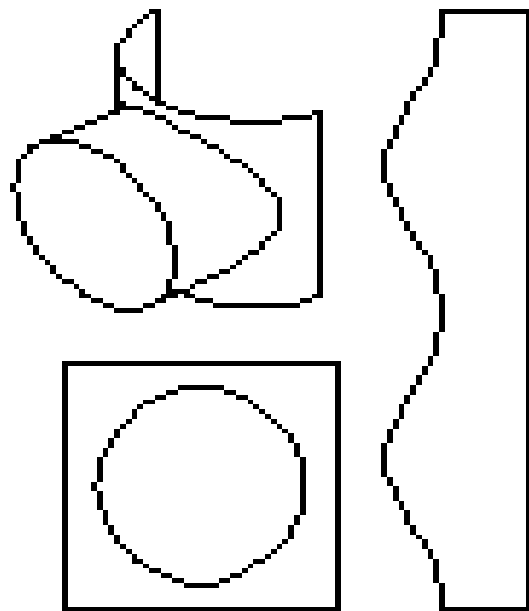


Spigot @ An Angle On Plate

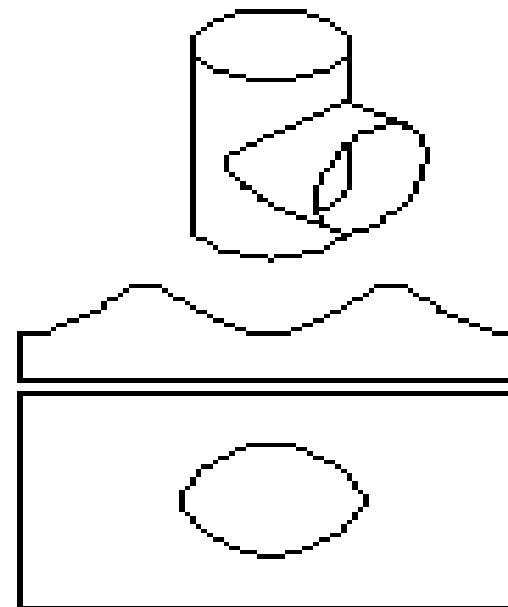


SPIGOT ON SADDLE & ROUND T PIECE

Spigot On Saddle

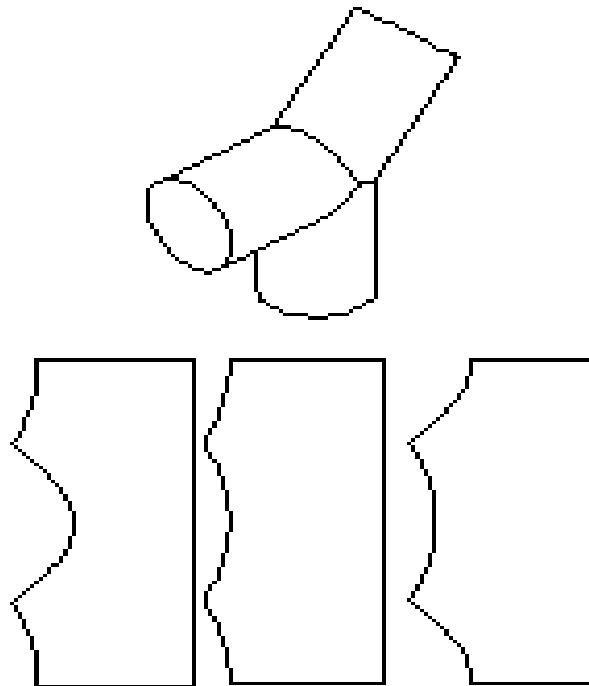


Round T Piece



Y-PIECE

Round Y – Piece



Rectangular Y – Piece

